

OPTIMUM

Metalfire

Technical Document

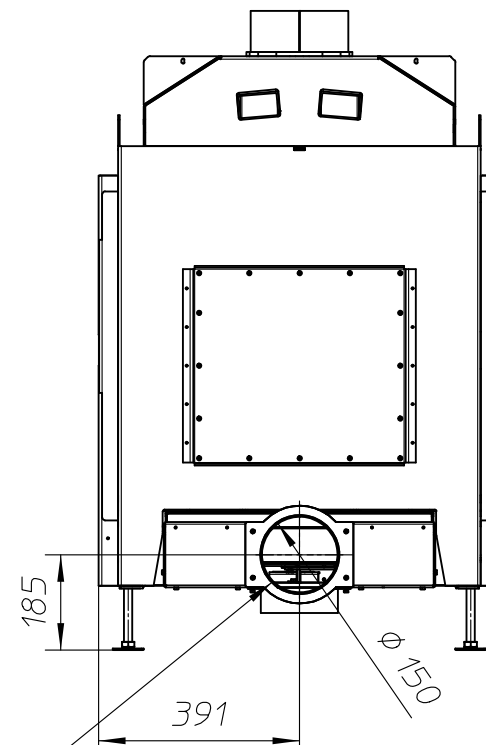
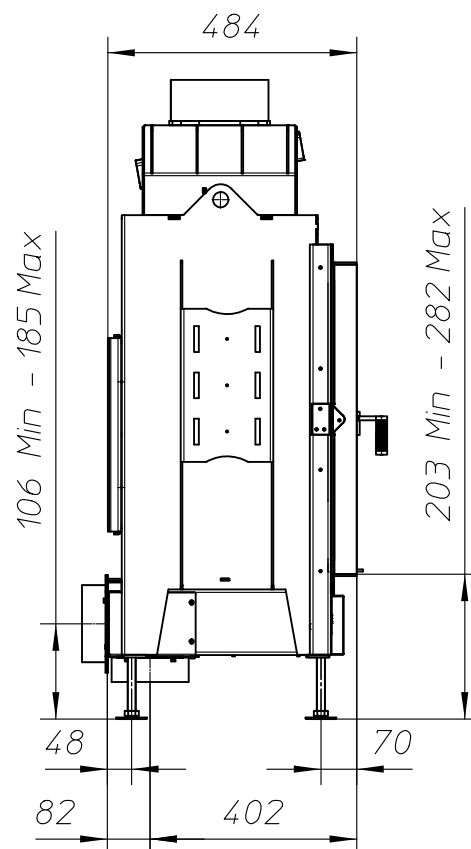
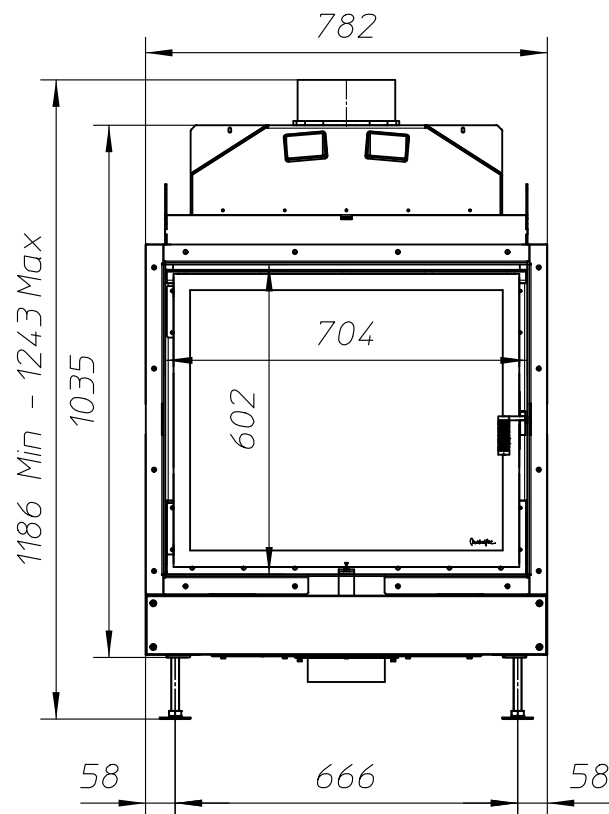
Optimum MF 700-60 WHE 1S

Dimensions (mm)

- combustion opening WxH: 704 x 602
- external WxDxH: 782 x 484 x 1243
- fresh air intake: 1 x $\varnothing 150$
- flue gas outlet: $\varnothing 180$ ($\varnothing 150$)

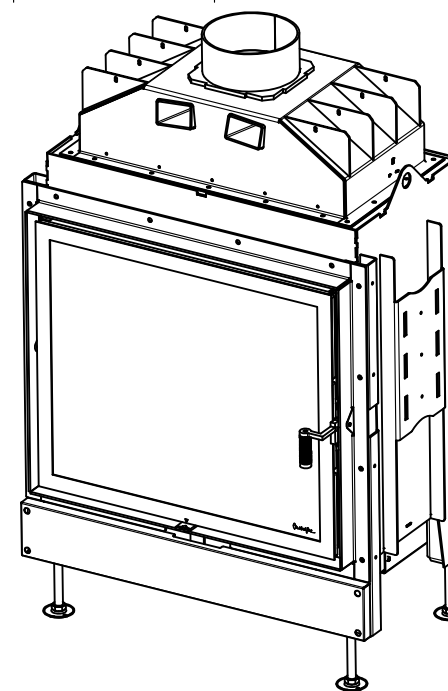
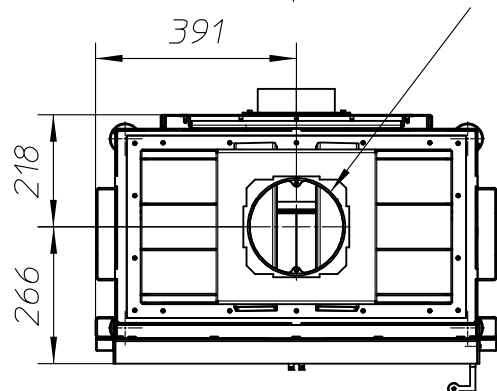
Technical Data

- ecolabel: A+
- capacity: 9.6kW
- efficiency: 84%
- CO (volume with 13%O₂): 0.06%
- dust (volume with 13%O₂): 20mg/Nm³
- weight: 160kg
- convection air inlet: min.700cm² (2 x $\varnothing 150$)
- convection air outlet: min.700cm² (2 x $\varnothing 150$)



Flue gas outlet tube $\varnothing 180$
With reducer a flue gas tube
of $\varnothing 150$ is possible

Fresh air inlet 1 x $\varnothing 150$
1 connection on back or
1 connection on bottom



First aid and technical support:

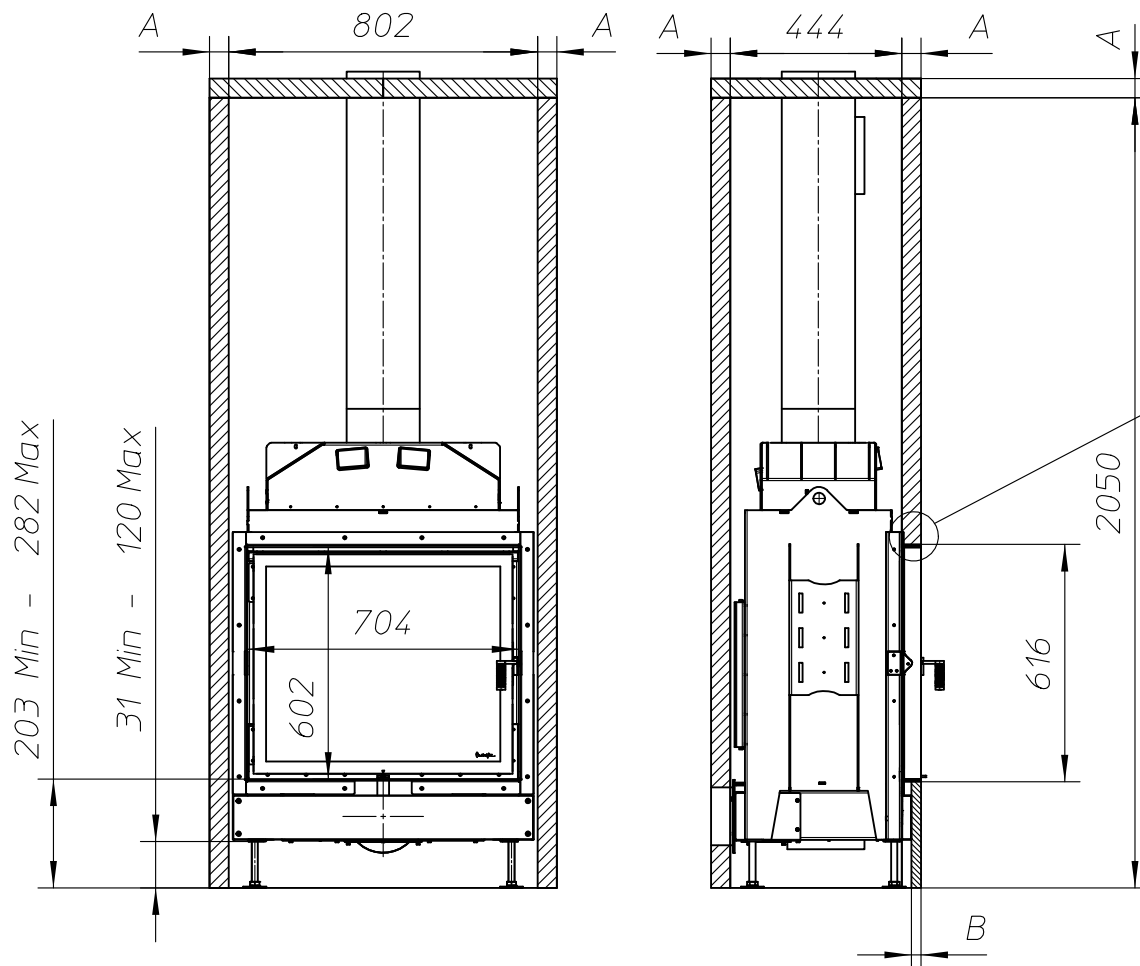
- support@metalfire.eu
- +32 9 261 51 90

scale 1:20

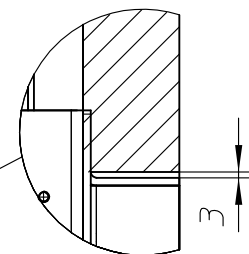
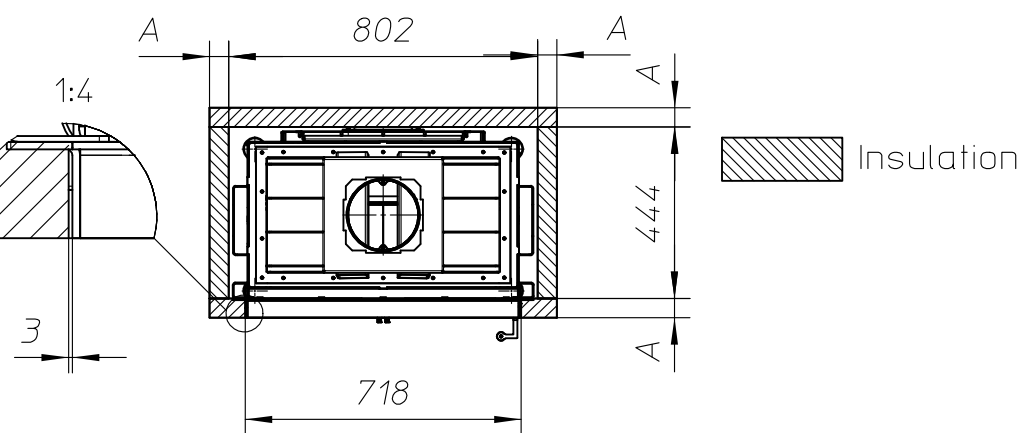
www.metalfire.eu EN 13229

General dimensional tolerances up to 6mm
Metalfire preserves the right to modify specifications without previous notice

Rev.
-
CE
Sheet
1/3

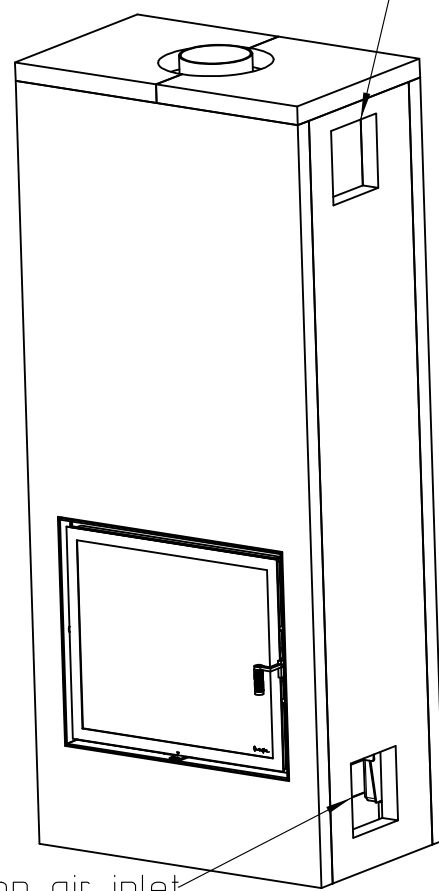


WITHOUT FINISHING FRAME



1:4

Convection air outlet



Convection air inlet

OPTIMUM

Metalfire

Technical Document

Optimum MF 700-60 WHE 1S

Prescribed insulation thickness (mm)

Combustable finishing material

Metalfire recommended
SILCA T 300
(TC = 0,09 W/mK)

A = 50mm

B = 25mm

Non-combustable finishing material

non-combustable
materials

A = 0mm

structural building items
EXCLUDED e.g. load bearing walls

B = 0mm

TC = thermal conductivity

NC = non-combustable

First aid and technical support:

- support@metalfire.eu

- +32 9 261 51 90

scale 1:20

Rev.
-

www.metalfire.eu

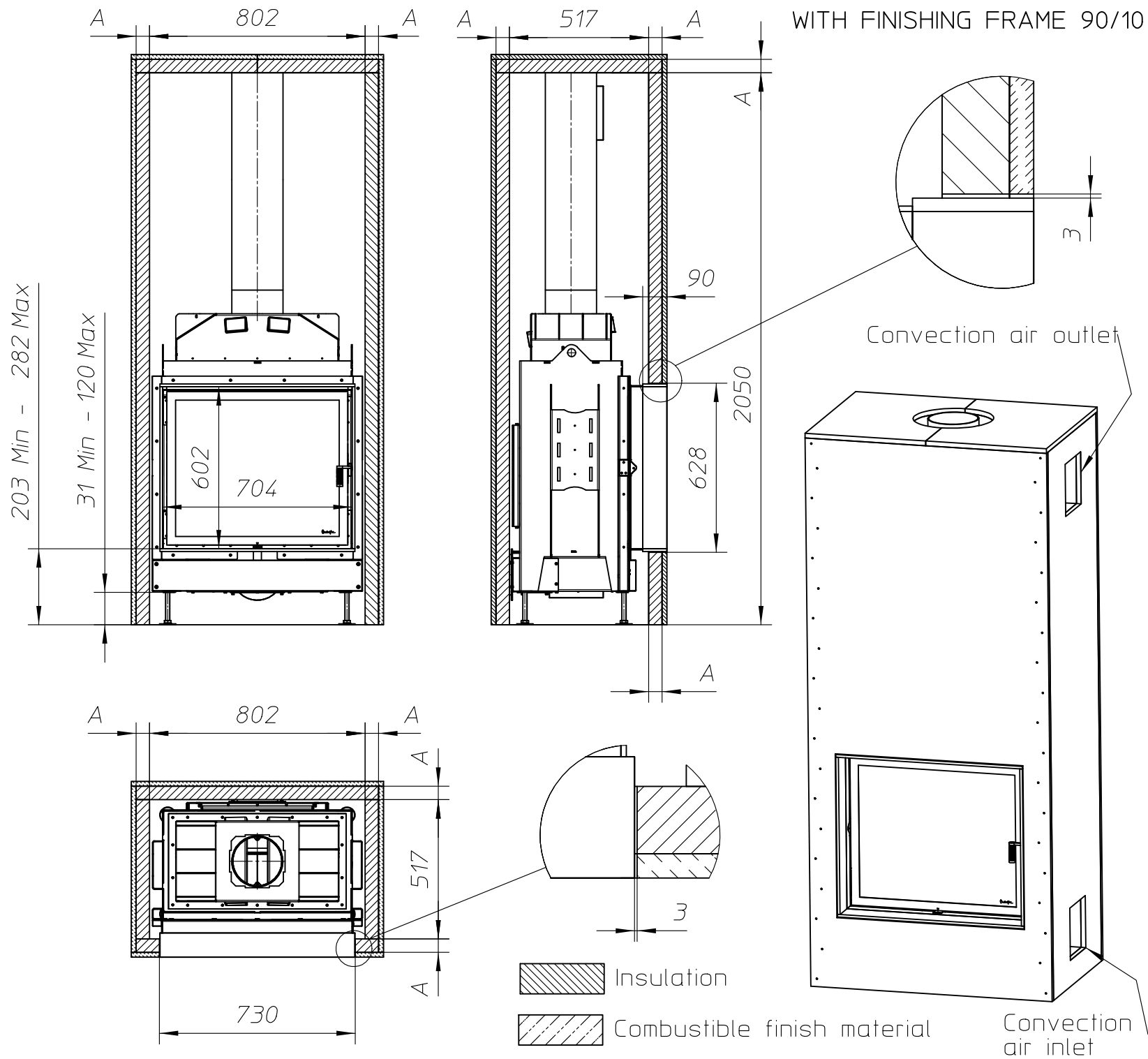
EN 13229

CE

General dimensional tolerances up to 6mm

Metalfire preserves the right to modify specifications without previous notice

Sheet
2/3



OPTIMUM

Metalfire

Technical Document

Optimum MF 700-60 WHE 1S

Prescribed insulation thickness (mm)

Combustible finishing material

Metalfire recommended
SILCA T 300
(TC = 0,09 W/mK)

A = 50mm

Non-combustible finishing material

non-combustible
materials
structural building items
EXCLUDED e.g. load bearing walls

A = 0mm

TC = thermal conductivity

NC = non-combustible

First aid and technical support:

- support@metalfire.eu

- +32 9 261 51 90

scale 1:20

www.metalfire.eu

EN 13229

General dimensional tolerances up to 6mm
Metalfire preserves the right to modify specifications without previous notice

Rev.

-

CE

Sheet

3/3