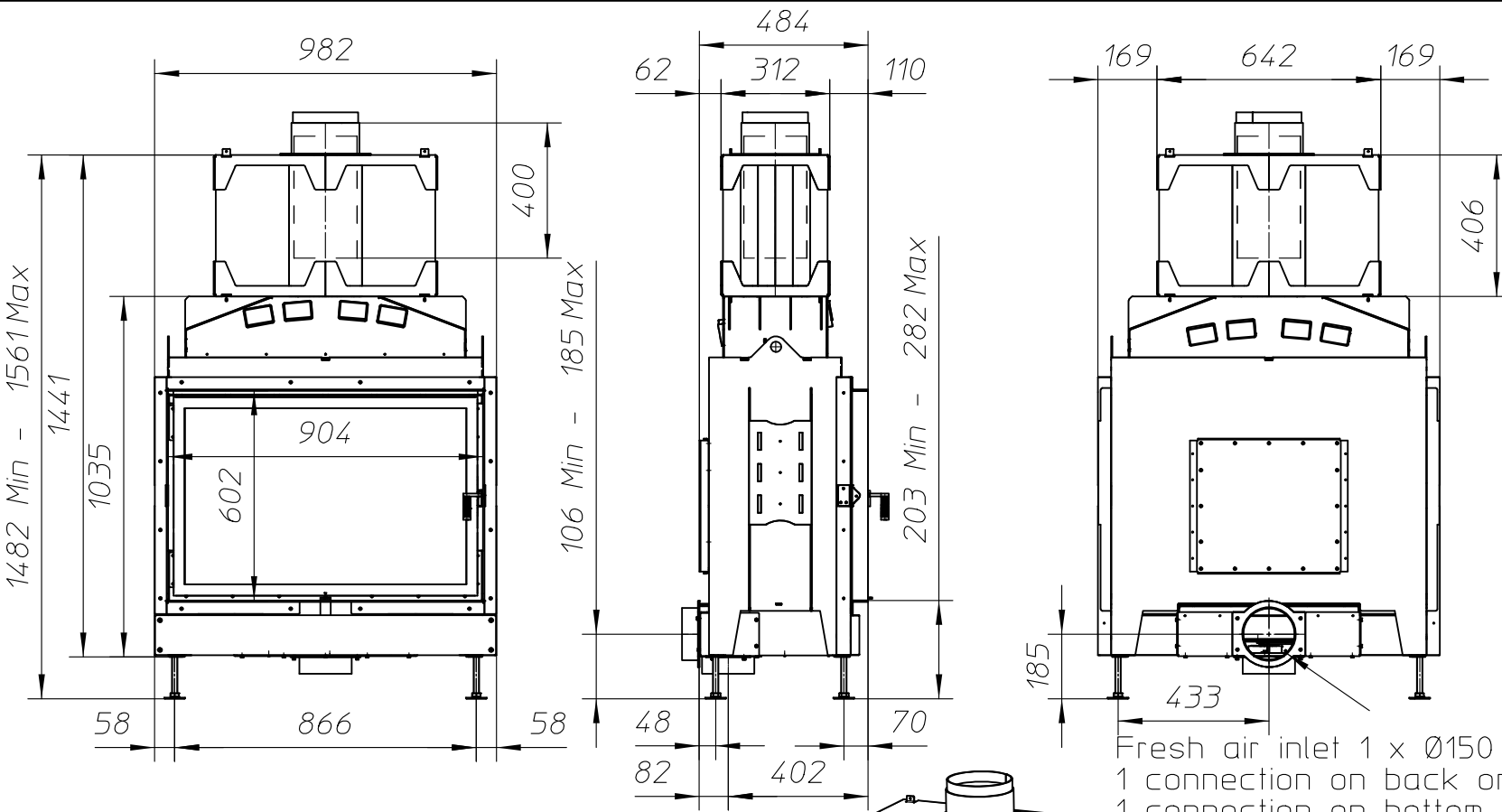


Dimensions (mm)

- combustion opening WxH: 904 x 602
- external WxDxH: 982 x 484 x 1561
- fresh air intake: 1 x Ø150
- flue gas outlet: Ø180 (Ø150)

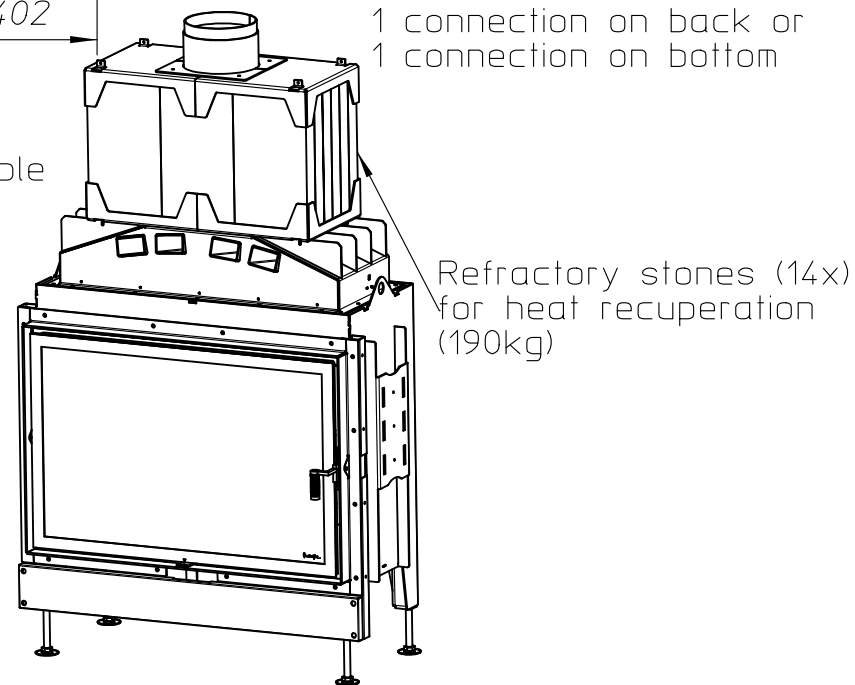
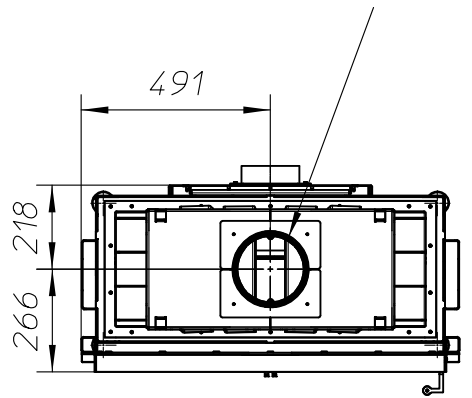
Technical Data

- ecolabel: A+
- capacity: 12.9kW
- efficiency: 82.6%
- CO (volume with 13%O₂): 0.05%
- dust (volume with 13%O₂): 22mg/Nm³
- weight: 180kg + (190Kg)
- convection air inlet: min.350cm² (2 x Ø150)
- convection air outlet: min.350cm² (2 x Ø150)



Fresh air inlet 1 x Ø150
1 connection on back or
1 connection on bottom

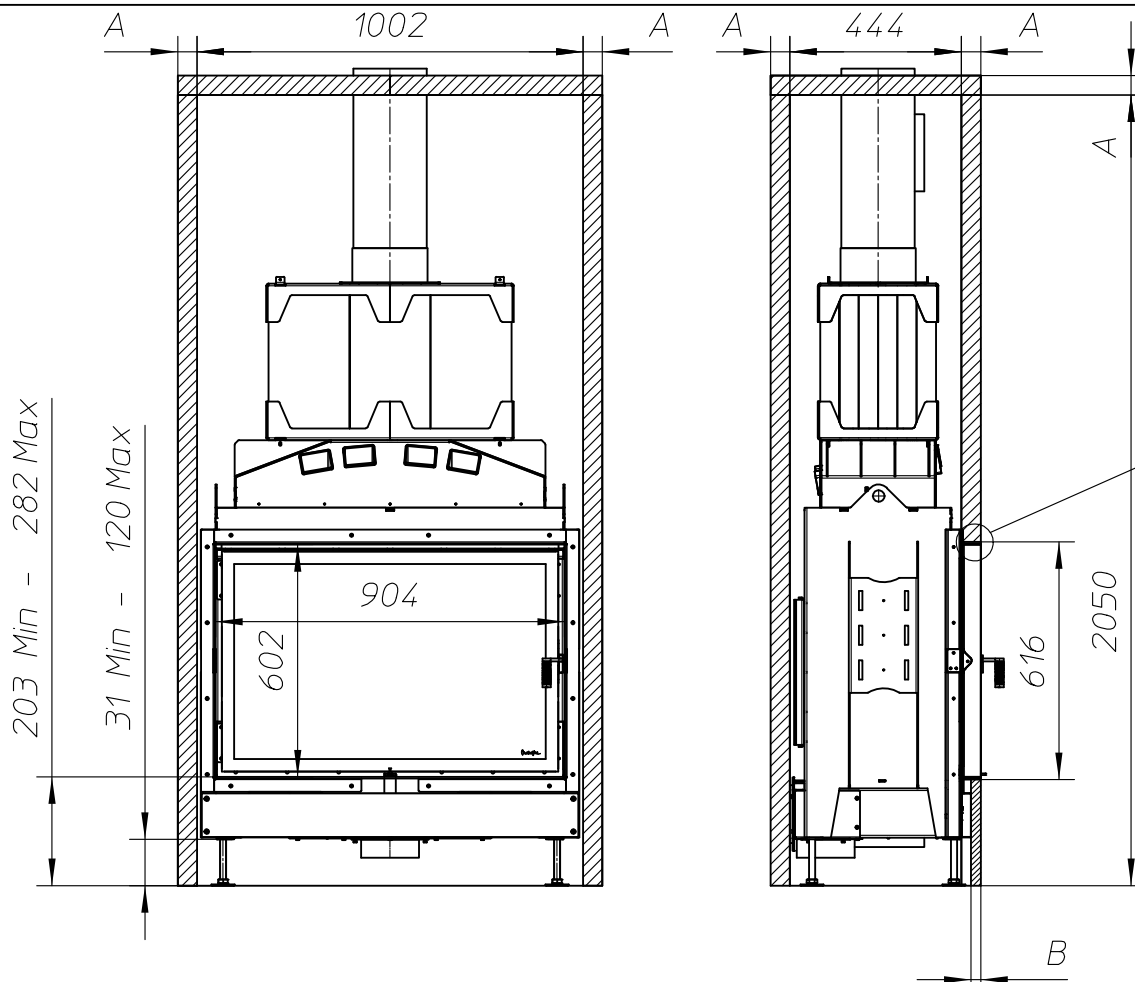
Flue gas outlet tube Ø180
With reducer a flue gas tube of Ø150 is possible



First aid and technical support:

- support@metalfire.eu
- +32 9 261 51 90

scale 1:20	Rev. D
www.metalfire.eu EN 13229	CE
General dimensional tolerances up to 6mm Metalfire preserves the right to modify specifications without previous notice	Sheet 1/3



203 Min - 282 Max
31 Min - 120 Max

WITHOUT FINISHING FRAME

OPTIMUM Accumulation

Metalfire

Technical Document

Optimum MF 900-60 WHE 1S A

Prescribed insulation thickness (mm) to

Combustable finishing material

Metalfire recommended
SILCA T 300
(TC = 0,09 W/mK)

A = 50mm
B = 25mm

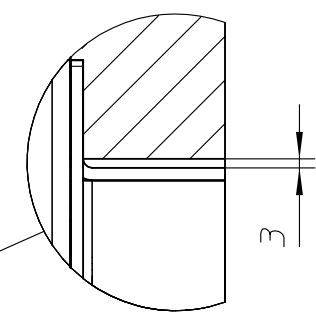
Non-combustable finishing material

non-combustable
materials
structural building items
EXCLUDED e.g. load bearing walls

A = 0mm
B = 0mm

TC = thermal conductivity

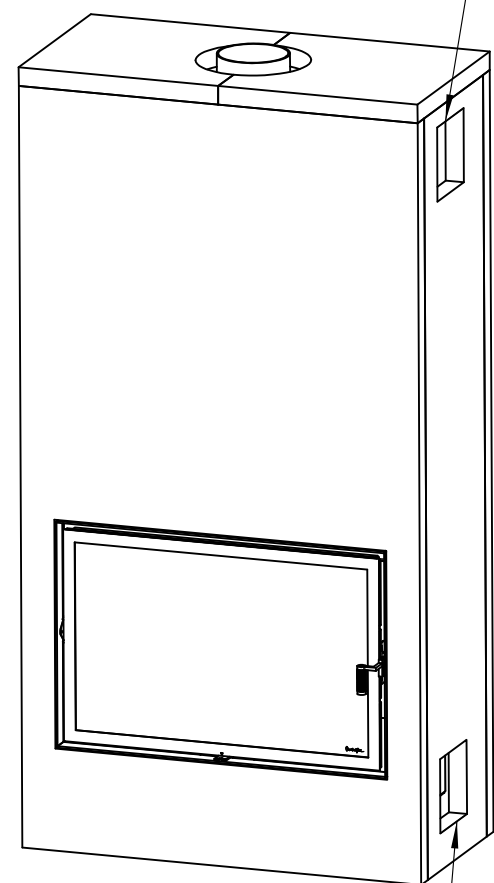
NC = non-combustable



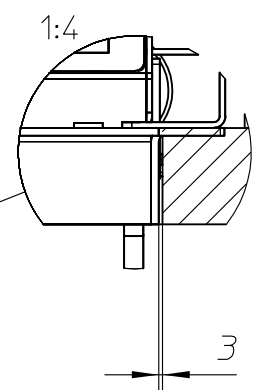
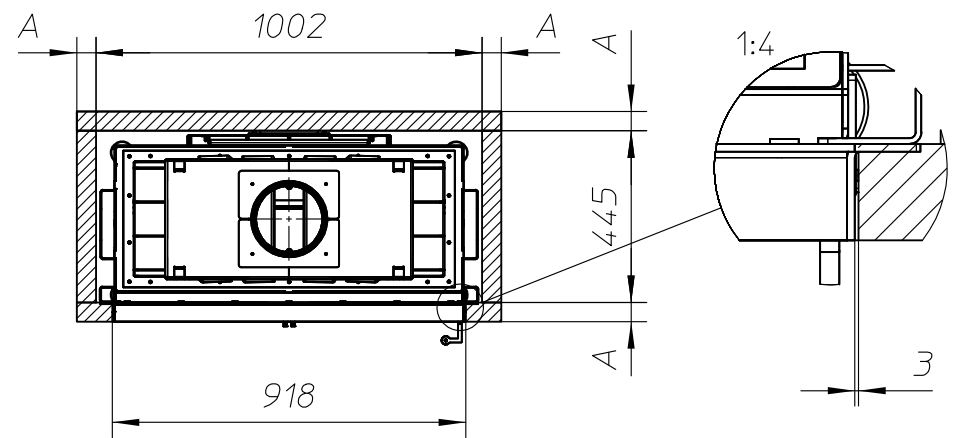
1:4

3

Convection air outlet



Convection air inlet



1:4

3

Insulation

First aid and technical support:

- support@metalfire.eu
- +32 9 261 51 90

scale 1:20

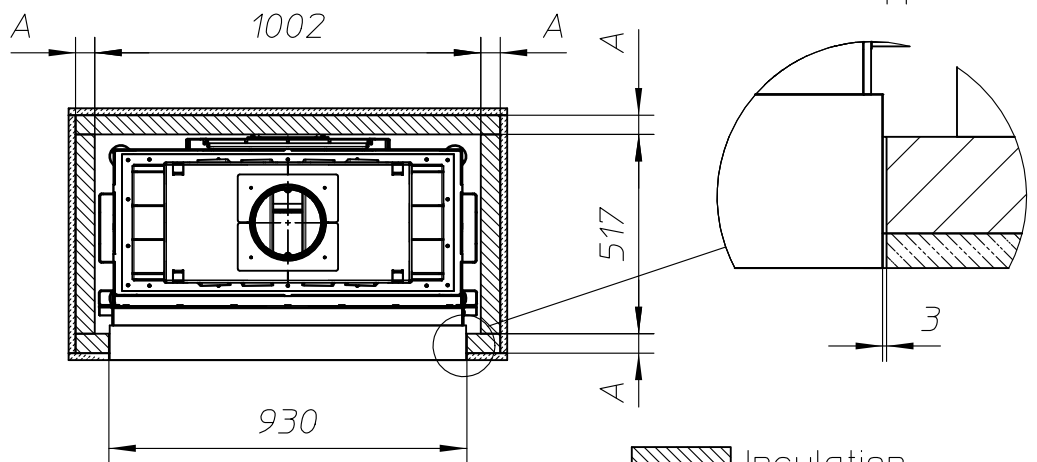
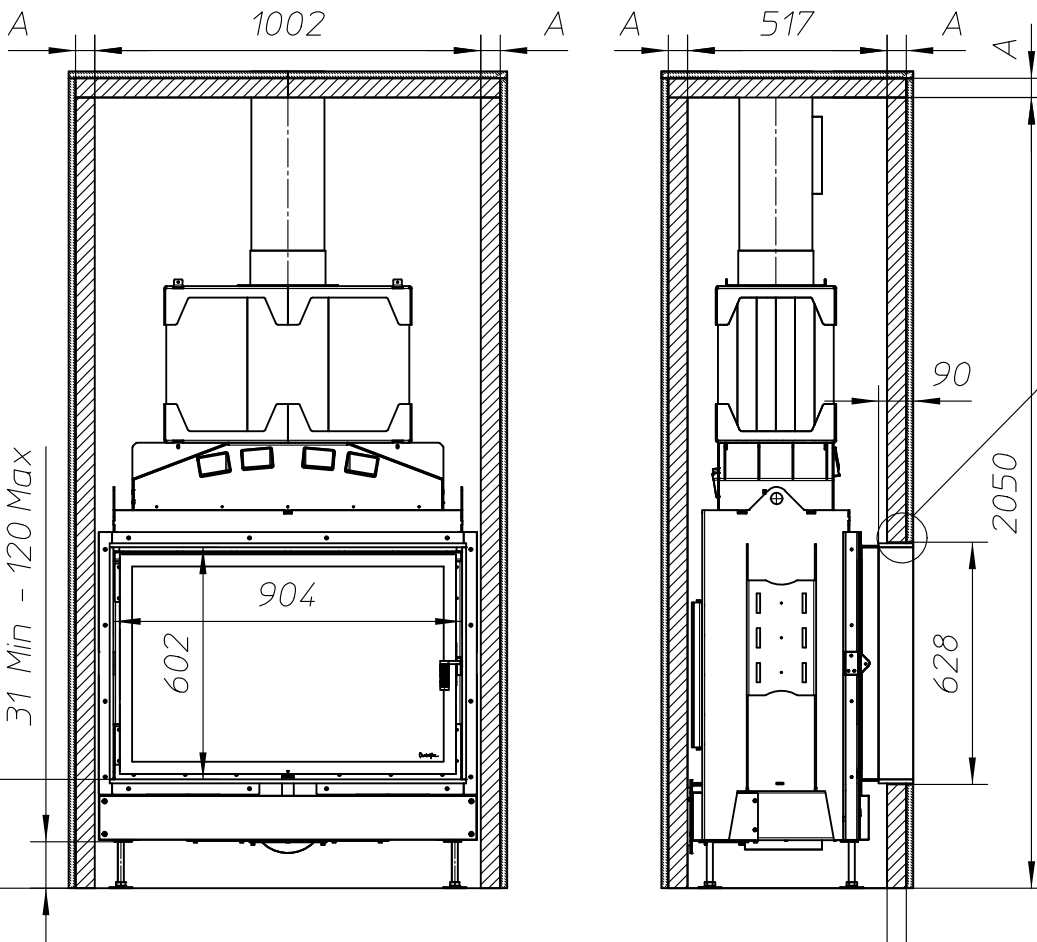
www.metalfire.eu EN 13229

General dimensional tolerances up to 6mm
Metalfire preserves the right to modify specifications without previous notice

Rev.
D

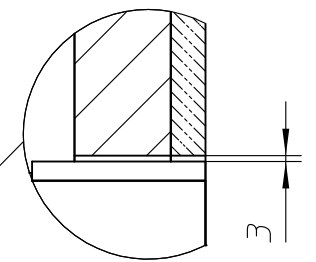
CE

Sheet
2/3

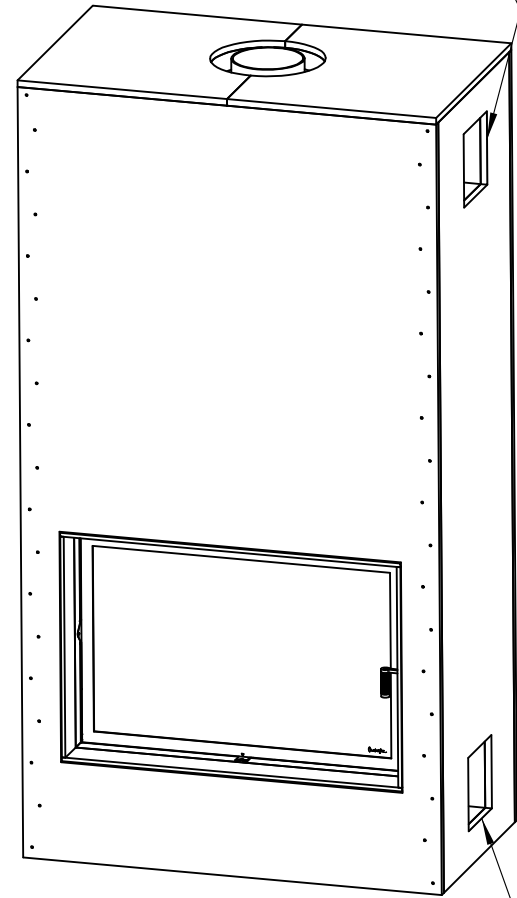


 Insulation
 Combustible finish material

WITH FINISHING FRAME 90/10



Convection air outlet



Convection air inlet

OPTIMUM Accumulation

Metalfire

Technical Document

Optimum MF 900-60 WHE 1S A

Prescribed insulation thickness (mm) to

Combustible finishing material

Metalfire recommended
SILCA T 300
(TC = 0,09 W/mK)

A = 50mm

Non-combustible finishing material

non-combustible
materials
structural building items
EXCLUDED e.g. load bearing walls

A = 0mm

TC = thermal conductivity

NC = non-combustible

First aid and technical support:

- support@metalfire.eu

- +32 9 261 51 90

scale 1:20

Rev.
D

www.metalfire.eu

EN 13229

CE

General dimensional tolerances up to 6mm
Metalfire preserves the right to modify specifications without previous notice

Sheet
3/3