

Scale 1:50

# UNIVERSAL Patented


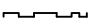
## metalfire

### Technical Document

Model: UNIVERSAL MF 1050-75 W 2SR

- Dimensions (mm)**
- combustion chamber WxDxH: 1050 x 510 x 750
  - external WxDxH: 1123 x 585 x 2300
  - stoke grate WxD: 800 x 370
  - fresh air: 2 x Ø150

- Specifications**
- finishing: heat-resistant black paint
  - lockable valve for fresh air and smoke gases
  - two-piece cast iron stoke grate
  - sliding door in metal wire mesh (black H-R paint)
  - finishing: heat-resistant black paint
  - interior finishing: ORIGINAL (ribbed cast iron)

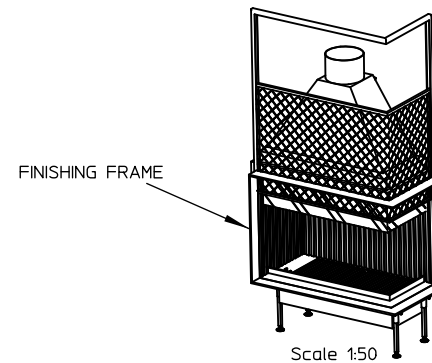
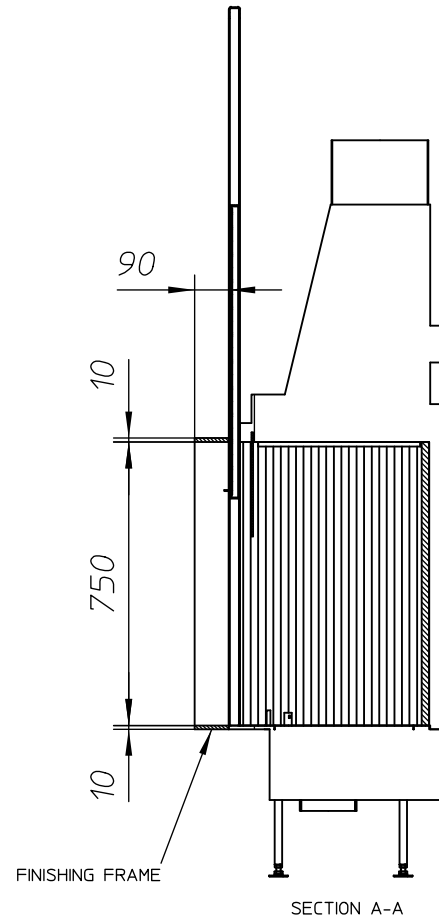
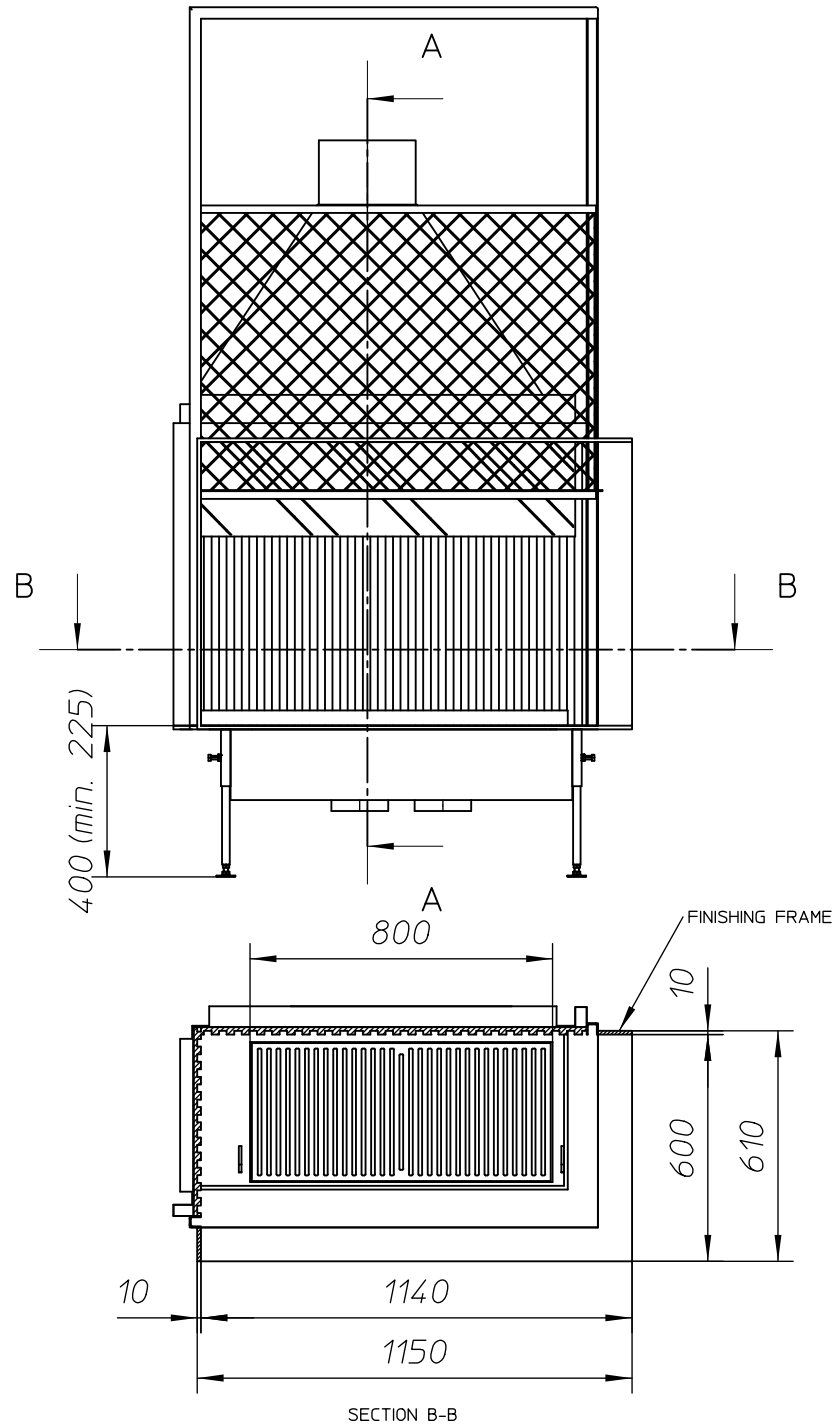
- Options**
- chimney fan RSV 14
  - convection jacket (see options)
  - interior finishing: MINIMAL  DESIGN 

First aid and technical support:

- support@metalfire.eu
- +32 (0)9 261 50 57

scale 1:20	Rev. -1
www.metalfire.eu	
General dimensional tolerances up to 6mm Metalfire preserves the right to modify specifications without previous notice	Sheet 1/4

WITH FINISHING FRAME



UNIVERSAL Patented

metalfire

Technical Document

Model: UNIVERSAL MF 1050-75 W 2SR



Dimensions (mm)

- combustion chamber WxDxH 1050 x 510 x 750
- external WxDxH: 1123 x 585 x 2300
- stoke grate WxD: 800 x 370
- fresh air: 2 x  $\phi 150$

Specifications

- finishing: heat-resistant black paint
- lockable valve for fresh air and smoke gases
- two-piece cast iron stoke grate
- sliding door in metal wire mesh (black H-R paint)
- finishing: heat-resistant black paint
- interior finishing: ORIGINAL (ribbed cast iron)

Options

- chimney fan RSV 14
- convection jacket (see options)
- interior finishing: MINIMAL  DESIGN 

First aid and technical support:

- support@metalfire.eu
- +32 (0)9 261 50 57

scale 1:20

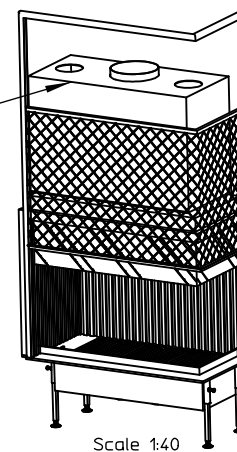
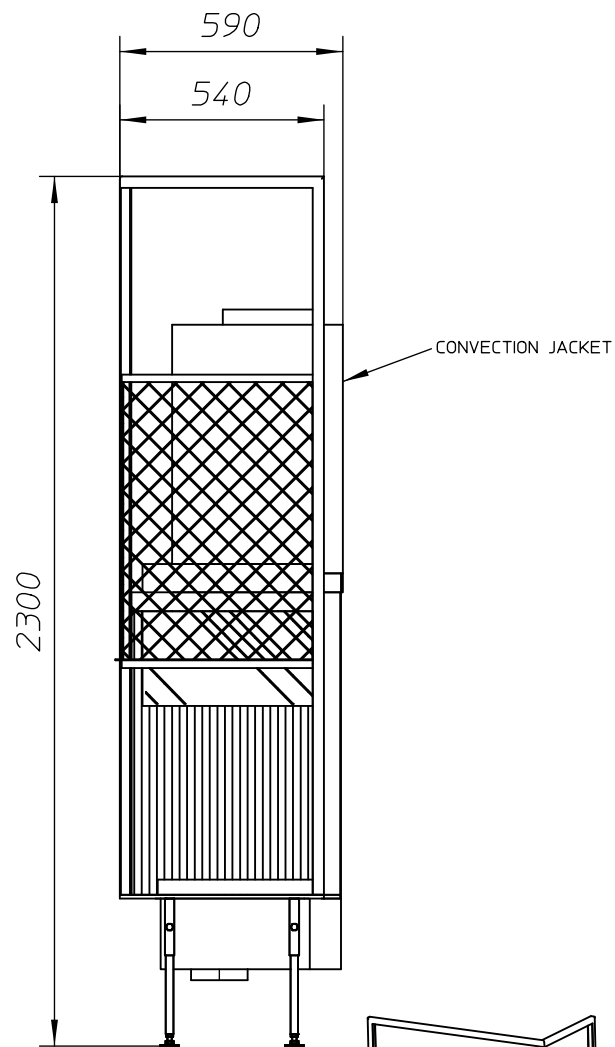
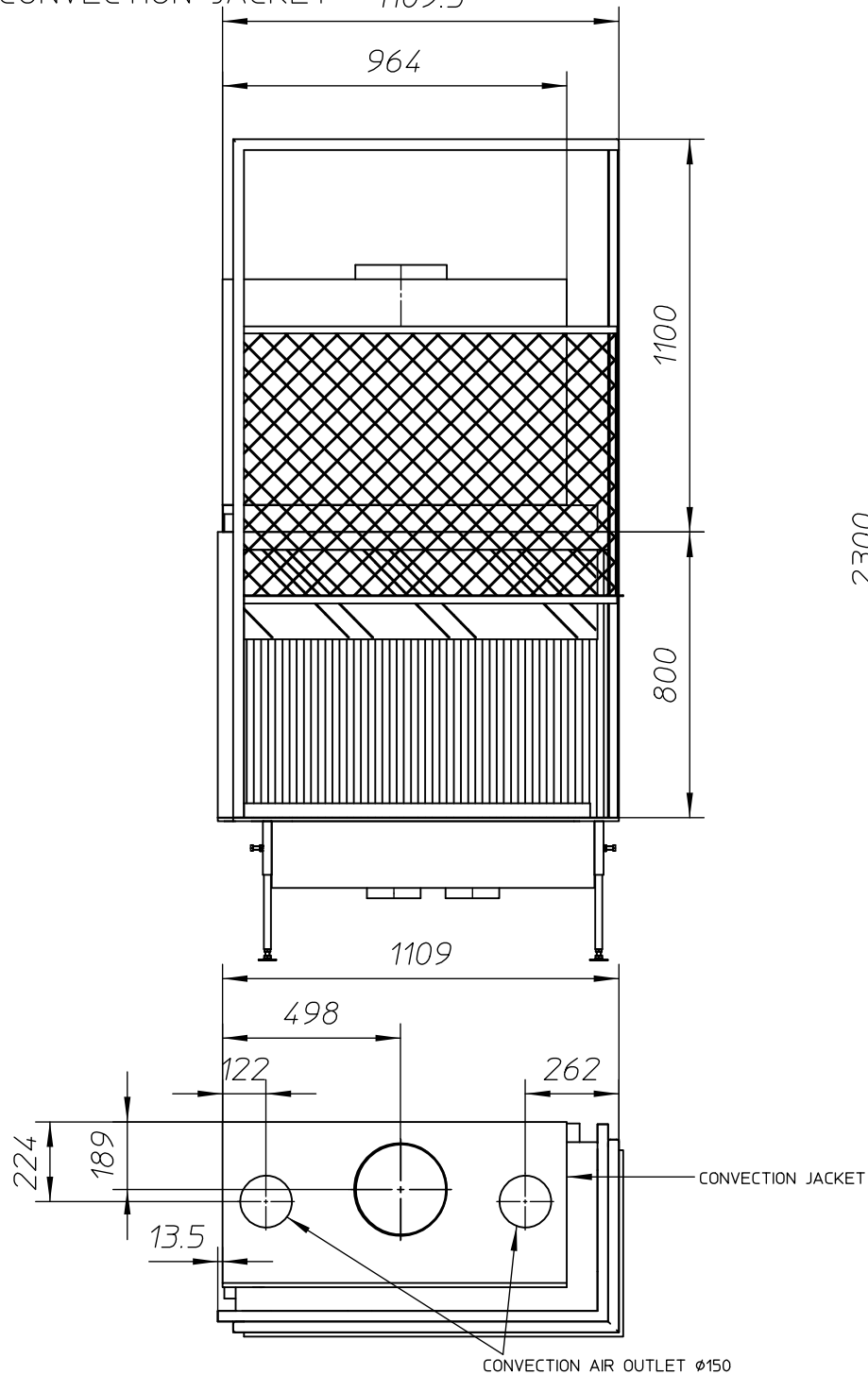
Rev. -1

www.metalfire.eu

General dimensional tolerances up to 6mm  
Metalfire preserves the right to modify specifications without previous notice

Sheet 2/4

WITH CONVECTION JACKET 1109.5



# UNIVERSAL Patented

## metalfire

### Technical Document

Model UNIVERSAL MF 1050-75 W 2SR



#### Dimensions (mm)

- combustion chamber WxDxH 1050 x 510 x 750
- external WxDxH: 1123 x 585 x 2300
- stoke grate WxD: 800 x 370
- fresh air: 2 x  $\phi$ 150

#### Specifications

- finishing: heat-resistant black paint
- lockable valve for fresh air and smoke gases
- two-piece cast iron stoke grate
- sliding door in metal wire mesh (black H-R paint)
- finishing: heat-resistant black paint
- interior finishing: ORIGINAL (ribbed cast iron)

#### Options

- chimney fan RSV 14
- convection jacket (see options)
- interior finishing: MINIMAL  DESIGN 

#### First aid and technical support:

- support@metalfire.eu
- +32 (0)9 261 50 57

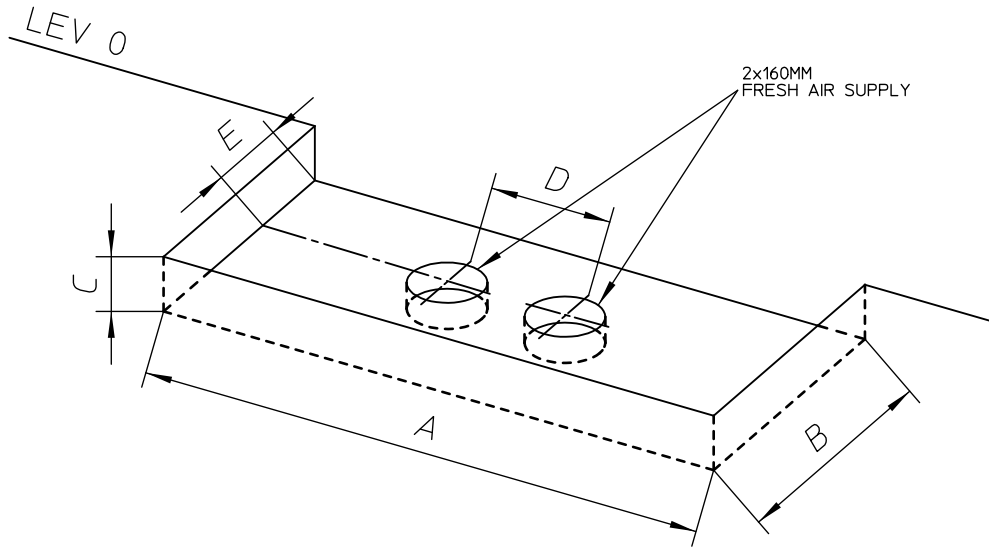
scale 1:20

Rev.  
-1

www.metalfire.eu

General dimensional tolerances up to 6mm  
Metalfire preserves the right to modify specifications without previous notice

Sheet  
3/4



TUNNEL 3-SIDES 2-SIDES FRONT

(mm)	A	B	C	D	E
MF 1050-50/75	1260	610	225	220	340
MF 1300-50/75	1510	610	225	220	340
MF 1500-50	1710	610	225	220	340
MF 1900-50	2110	610	225	220	340
MF 1050-50/75	1210	610	225	220	340
MF 1300-50/75	1460	610	225	220	340
MF 1500-50	1660	610	225	220	340
MF 1900-50	2060	610	225	220	340
MF 1050-50/75	1200	640	280	220	370
MF 1300-50/75	1450	640	280	220	370
MF 1500-50	1650	640	280	220	370
MF 1900-50	2050	640	280	220	370
MF 1050-50/75	1250	580	225	220	320
MF 1300-50/75	1500	580	225	220	320
MF 1500-50	1700	580	225	220	320
MF 1900-50	2100	580	225	220	320

Model: UNIVERSAL MF 1050-75 W 2SR

Dimensions (mm)

- combustion chamber WxDxH 1050 x 510 x 750
- external WxDxH: 1123 x 585 x 2300
- stoke grate WxD: 800 x 370
- fresh air: 2 x  $\phi$ 150

Specifications

- finishing: heat-resistant black paint
- lockable valve for fresh air and smoke gases
- two-piece cast iron stoke grate
- sliding door in metal wire mesh (black H-R paint)
- finishing: heat-resistant black paint
- interior finishing: ORIGINAL (ribbed cast iron)

Options

- chimney fan RSV 14
- convection jacket (see options)
- interior finishing: MINIMAL DESIGN

First aid and technical support:

- support@metalfire.eu
- +32 (0)9 261 50 57

scale 1:20	Rev. -1
www.metalfire.eu	
General dimensional tolerances up to 6mm Metalfire preserves the right to modify specifications without previous notice	Sheet 4/4